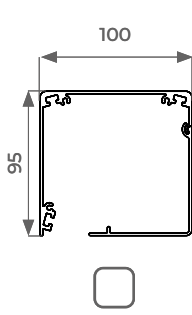
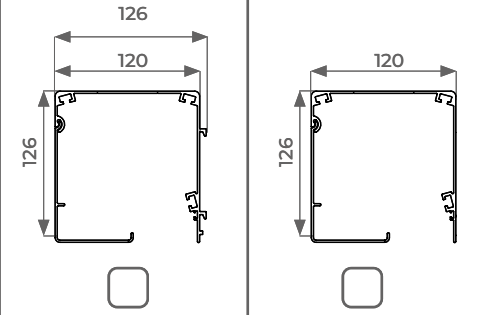
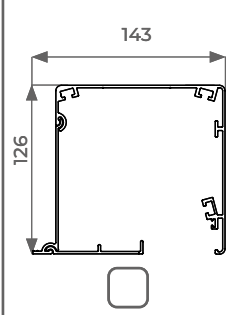
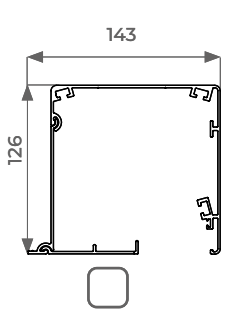
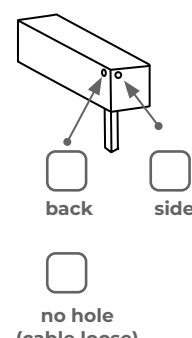






REFLEKSOL ZiiiP

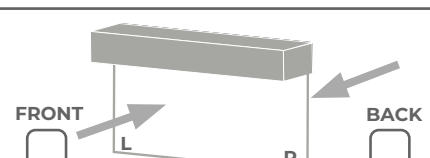
order form

Order no. reference:

Type of system

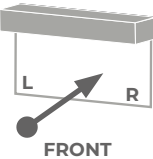
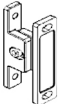
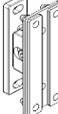
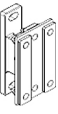
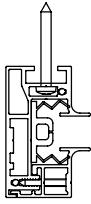
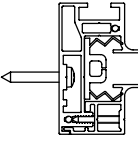
System R_ZiiiP 95 	System R_ZiiiP 120 ZIIP/ R_120 LARGE 		System R_120 ZiiiP concealed 	System R_120 ZiiiP Large concealed 	MOTOR CABLE EXIT:  back side no hole (cable loose)
 CASSETTE CLIP	 SELF-SUPPORTED VERSION	 SIDEGUIDE FOR DISTANCE BRACKET INSTALLATION	 FLAT BACK SIDEGUIDE		

SYSTEM'S COLOUR	BEIGE		WHITE	LIGHT GREY				DARK GREY				ANTHRACITE		BLACK	BROWN		OTHER RAL COLOUR <small>with surcharge</small>											
	VSR 240	RAL 1015	RAL 1013	RAL 9001	RAL 9010	RAL 9016	RAL 7035	RAL 9006	RAL 7001	RAL 7037	RAL 9007	RAL 7012	DB 703	FSM 71319	RAL 7015	RAL 7039		RAL 7024	RAL 7016	RAL 7021	RAL 7043	RAL 7022	RAL 9005	RAL 8014	RAL 8016	VSR 780	RAL 8003	
COLOURS IN SELT COLLECTION																												
SYSTEM CONSTRUCTION																												
GUIDE RAILS																												
BOTTOM BAR																												
GUIDING PROFILE																												

FABRICS	COLOUR	FABRIC NUMBER	BRIGHTER SIDE OF THE FABRIC
SERGE 600			
SERGE 100			
SERGE 600 BO LUNAR			
SOLTIS 92			

ELECTRIC DRIVE	MECHANICAL LIMIT SWITCHES	ELECTRONIC LIMIT SWITCHES	BUILT-IN RADIO RECEIVER	OBSTACLE DETECTION	STANDARD	ELERO	SOMFY
AXIS	X				M45	VariEco M	LT 50 JET
NEMO WT		X				SUNTOP M	ALTUS 50 WT
NEMO WT MAESTRIA				X			MAESTRIA 50WT
NEMO		X	X		DM 45EAF/S	SUNTOP 888	ALTUS RTS 50 io
NEMO IO		X	X				SUNILLUS 50 io
NEMO IO MAESTRIA		X	X	X			MAESTRIA 50io

ELECTRIC DRIVE	MECHANICAL LIMIT SWITCHES	ELECTRONIC LIMIT SWITCHES	ELECTRONIC LIMIT SWITCHES	STANDARD	ELERO	SOMFY
AXIS SMALL	X			M 35	Vari Eco S	LS 40
NEMO WT SMALL		X	X		SunTop S	
NEMO SMALL		X	X	DM 35 ECA/ S	SUNTOP S 868	ALTUS 40 RTS
NEMO IO SMALL		X	X			SUNEA 40 io

NO.	TOTAL WIDTH [mm]	TOTAL HEIGHT [mm]	QUANTITY	DRIVE SIDE 	DIRECT INSTALLATION		GUIDE RAILS BRACKET 39-45MM OR 52-58MM 	MODULAR BRACKET FOR GUIDE RAILS 42-48 OR 55-61		
					FRONTAL	SIDE				
										
							95 and 120 version	95 version	120 version	
							in quantity for recommended spacing not more than 100cm			
1										
2										
3										
4										
5										
6										
7										
8										
9										
10										
11										
12										
13										
14										
15										
16										
17										
18										
19										
20										
21										
22										

Delivery address:

Remarks:

The Buyer hereby declares that they speak fluent English, understand the statements received and submitted in English, orders submitted, and to have read and accepted General Sales Terms and Conditions, General Warranty Terms and Conditions, Technical-operational documentation and Declaration of performance for external systems, Declaration of Conformity for systems with motor drive and information on safety elements installation for internal systems operated with cord and ball chain, available at: www.selt.com/ArkuszeZamowien-en

Signature Ordering company Date